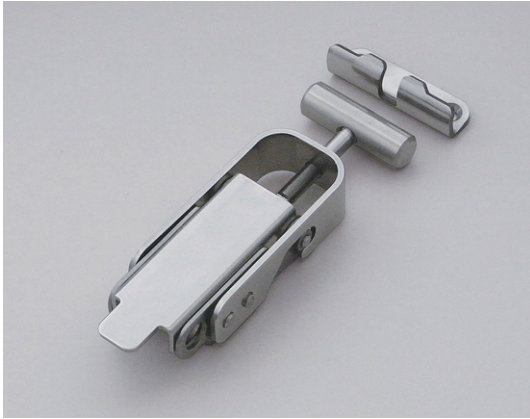


# TL-380

## Pull-Down Latch - Linkable 联动拉扣



Model No.	Allowable Load N(kgf)	Net Weight (g)	Code No.
TL-380-1	Approx. 196 (20)	130	11051
TL-380-2	Approx. 140 (14)	54	11066

### Parts List 零件表

No.	Part Name	Material	Finish	Qty.
1	Base	SUS304	Barrel Polishing	1
2	Lever			1
3	Link			1
4	Arm			1
5	Adjust Screw			1
6	Hook			1
7	Pin(A)			1
8	Pin(B)			1
9	Pin(C)			2
10	Pole			2
11	Plate Spring			1
12	Keeper			1

### Characteristic 特点

Lever working with arm makes it easy to operate.  
Arm's length is adjustable.  
拉杆与锁臂能联动作业的拉扣。  
锁臂长短可调整。操作性强。

### Application 用途

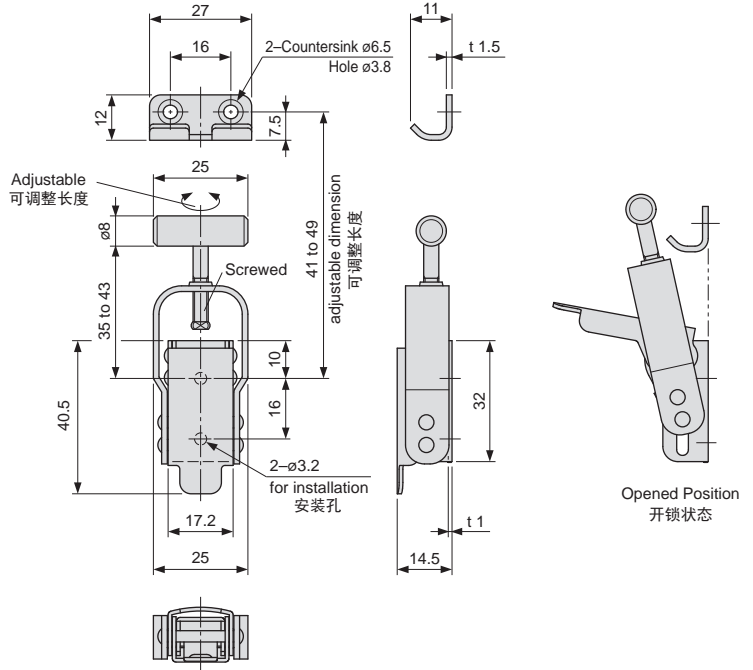
General industrial machines /  
Machine tools / Boxes, etc.  
工业机械/工作机械/各类箱体等

### Note 注意

Do not fasten the arm too much to avoid deformation. See below drawing for more details.  
If using gasketing, clearance between lid and body should be within 2mm.

调节锁臂时，过短可能会导致拉扣变形。详见下图  
因锁臂与钩板间距离较短，请使用压缩前厚度在2mm以内的缓冲材。

### TL-380-2



### TL-380-1

