

TL-341 Knob-Fastener



Characteristic

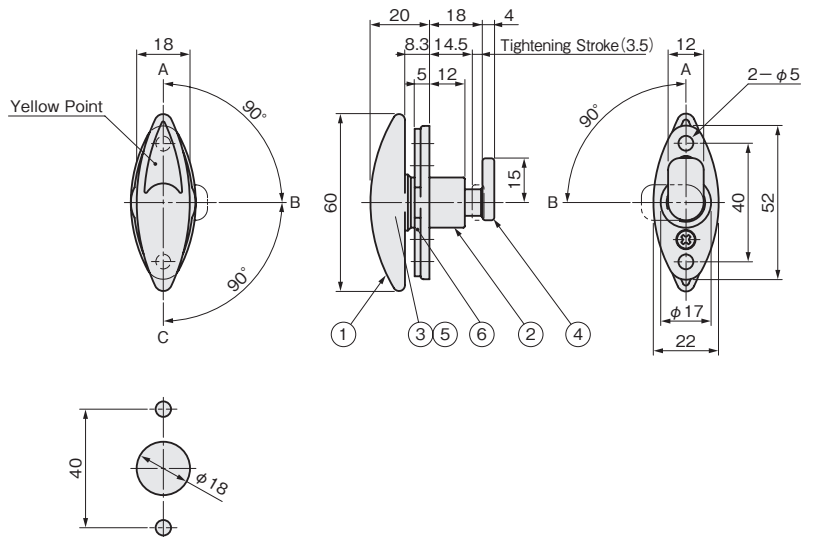
Used as a door fastener on a container.

Application

Airplanes / Automobiles /
Communication equipments /
Measuring instruments

Operation Instructions

Turning the knob 90° from A to B rotates 90° the locking arm.
Rotating the knob a further 90° from B to C tightens the arm axially by 3.5mm.



| Model No. | Net Weight(g) | Code No. |
|-----------|---------------|----------|
| TL-341 | 94 | 1950 |

Parts List

| No. | Part Name | Material | Finish | Quantity |
|-----|-------------|----------|------------------|----------|
| 1 | Knob | SCS13 | Barrel Polishing | 1 |
| 2 | Flange | | | 1 |
| 3 | Cam | | | 1 |
| 4 | Locking Arm | | | 1 |
| 5 | Spring | SUS304 | Barrel Polishing | 1 |
| 6 | Collar | | | 1 |

TL-284 Grip Latch



Characteristic

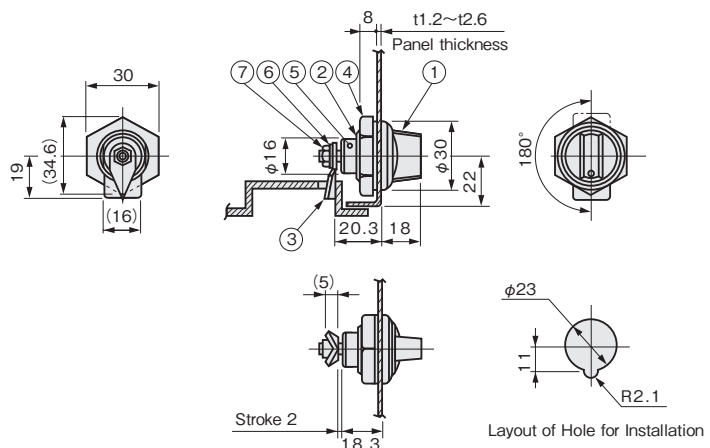
Play in the door, when closed,
is eliminated by the built-in spring of the latch.

Application

Control boxes /
Various Types of
Light Weight Doors, etc.

Note

Tightening torque for the fixing nut 4 should be 2 N·m (20kgf·cm) or less.



| Model No. | Draw-In Force N (kgf) | Net Weight(g) | Code No. |
|-----------|-----------------------|---------------|----------|
| TL-284 | 11.8(1.2)~18.6(1.9) | 35 | 1819 |

Parts List

| No. | Part Name | Material | Finish | Quantity |
|-----|----------------------|-----------|----------|----------|
| 1 | Knob | PBT/SWCH | Black/Zn | 1 |
| 2 | Housing | PBT | Black | 1 |
| 3 | Lever | SPCC | Zn | 1 |
| 4 | Fixing Nut | PBT | Black | 1 |
| 5 | Spring | SUS304WPB | — | 1 |
| 6 | Inner Toothed Washer | S | Zn | 1 |
| 7 | Hexagon Nut | | | 1 |